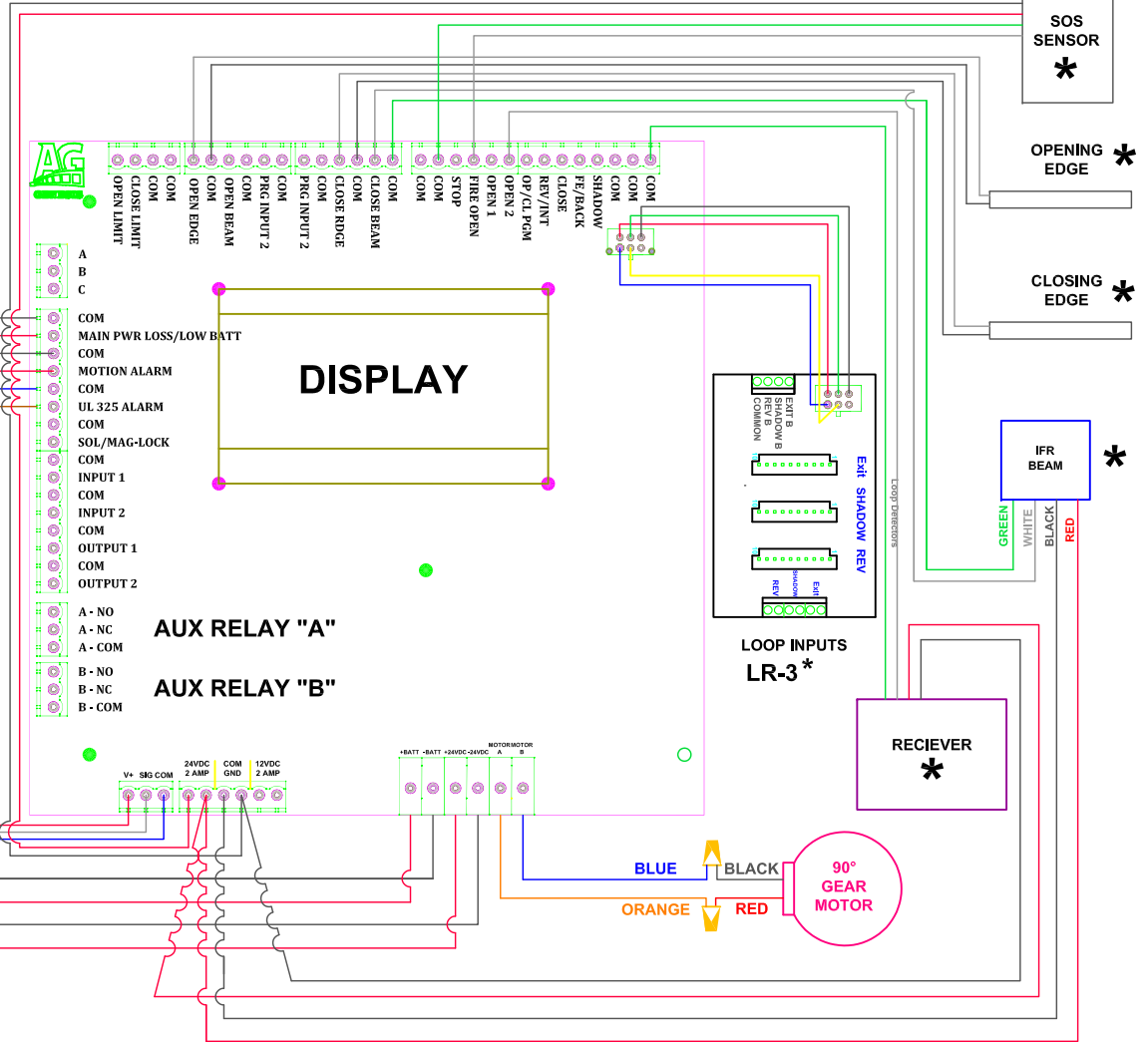
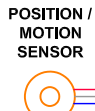
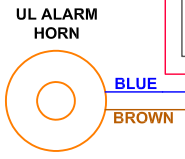
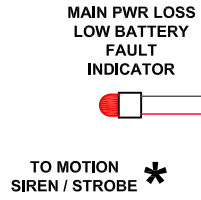
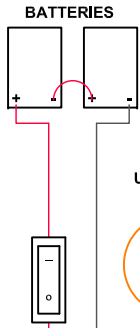
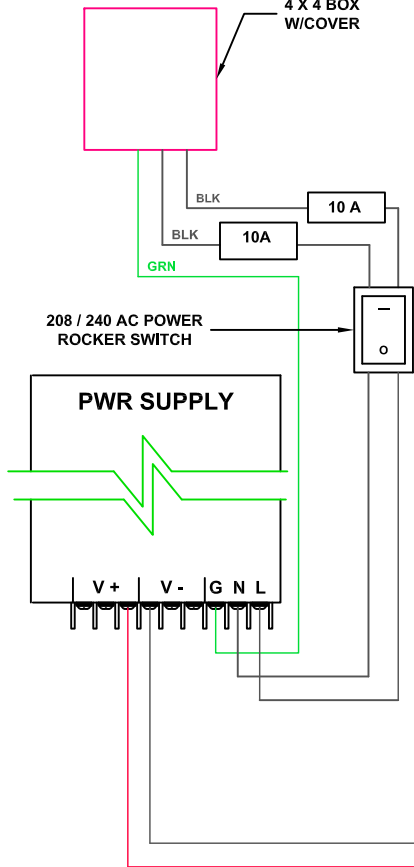


208/240V AC SINGLE PHASE
SERVICE ONLY!



* OPTIONAL ACCESSORY COMPONENTS

Rev.:	Description:	Date:	DO NOT SCALE	Drn. By:	Ckd. By:

NOTICE
THE INFORMATION CONTAINED ON THIS DOCUMENT IS CONFIDENTIAL. ANY DISSEMINATION, UNAPPROVED DISCLOSURE OR COPYING OF THIS INFORMATION IS STRICTLY PROHIBITED

UNLESS OTHERWISE SPECIFIED DIMENSIONS ARE IN INCHES ANGLES ± 1°
X/X ± 1/32, .XX ± .01, .XXX ± .005

Date Drawn: 01/03/19
Drawn By: EGS
Checked By: .



Dwg./AG#: Genesis Board Wiring Schematic - 240 Volt Input
Title: VPG-2490 Wiring Diagram-208/240 Volt