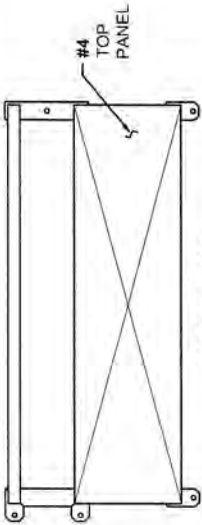
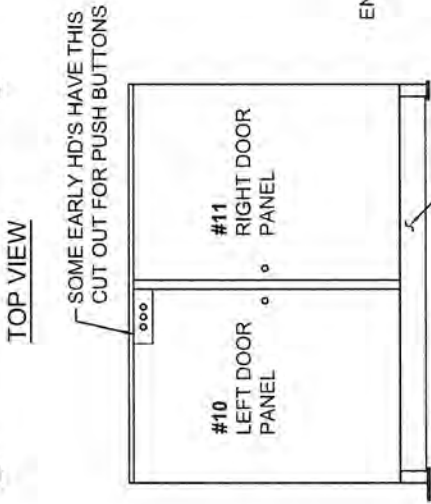


# RH OPERATOR PANEL LOCATIONS

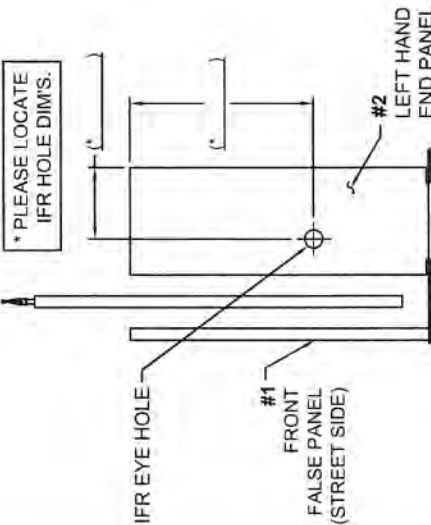
AG#: \_\_\_\_\_ DATE: \_\_\_\_\_  
 OPER. STYLE: RES. LP HD HDII VPL-24  
 COLOR: \_\_\_\_\_ PAINT TYPE: \_\_\_\_\_ PC  
 CUSTOMER: \_\_\_\_\_  
 TRUCK LINE: \_\_\_\_\_



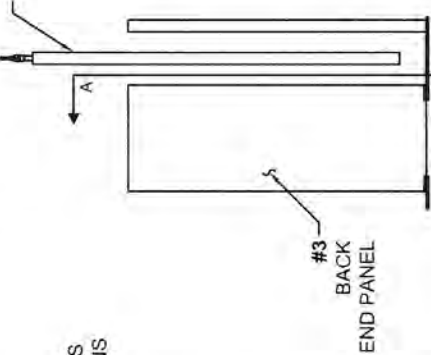
TOP VIEW



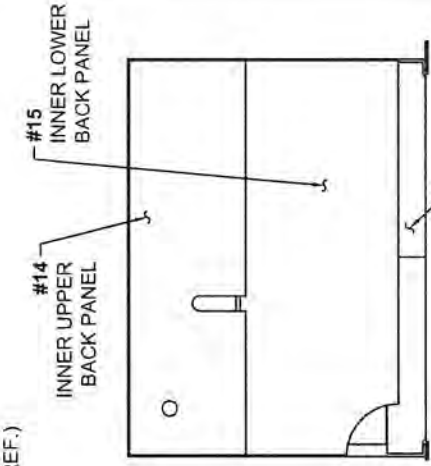
FRONT VIEW  
HD II & VPL-24  
(DOOR/PRIVATE SIDE)



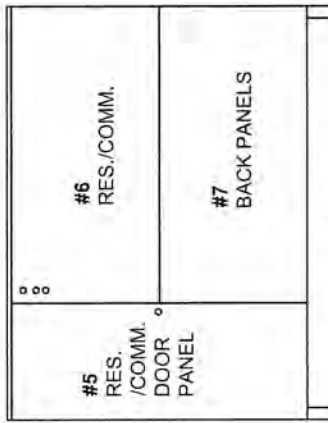
GATE END VIEW  
IFR EYE END PANEL  
(GATE END)



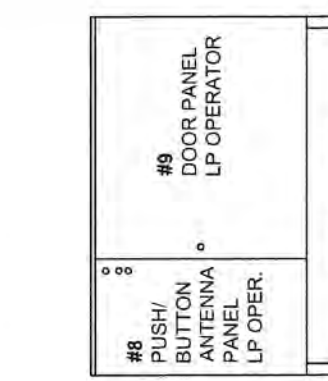
BACK END VIEW



SECTION "A-A"  
INSIDE PANELS  
(PUBLIC SIDE)



FRONT VIEW  
RESIDENTIAL/COMMERCIAL  
(DOOR/PRIVATE SIDE)



FRONT VIEW  
LOW PROFILE  
(DOOR/PRIVATE SIDE)

PLEASE INDICATE WHICH PANEL(S) WERE DAMAGED AND VERIFY THE SIZES OF EA. PANEL(S) YOU NEED:

- #1 FRONT FALSE PANEL (Dim. \_\_\_\_\_" x \_\_\_\_\_")
- #2 LH GATE / IFR BEAM END PANEL (Dim. \_\_\_\_\_" x \_\_\_\_\_")
- #3 BACK END PANEL (Dim. \_\_\_\_\_" x \_\_\_\_\_")
- #4 TOP PANEL (Dim. \_\_\_\_\_" x \_\_\_\_\_")
- #5 DOOR PANEL COMM./RES. (Dim. \_\_\_\_\_" x \_\_\_\_\_")
- #6 UPPER BACK PANEL COMM./RES. (Dim. \_\_\_\_\_" x \_\_\_\_\_")
- #7 LOWER BACK PANEL COMM./RES. (Dim. \_\_\_\_\_" x \_\_\_\_\_")
- #8 PUSH BUTTON LP (Dim. \_\_\_\_\_" x \_\_\_\_\_")
- #9 DOOR PANEL LP (Dim. \_\_\_\_\_" x \_\_\_\_\_")
- #10 LEFT DOOR PANEL HD II & VPL-24 (Dim. \_\_\_\_\_" x \_\_\_\_\_")
- #11 RIGHT DOOR PANEL HD II & VPL-24 (Dim. \_\_\_\_\_" x \_\_\_\_\_")
- #12 FRONT DEBRIS PANEL (Dim. \_\_\_\_\_" x \_\_\_\_\_")
- #13 REAR INNER DEBRIS PANEL (Dim. \_\_\_\_\_" x \_\_\_\_\_")
- #14 INNER UPPER BACK PANEL (Dim. \_\_\_\_\_" x \_\_\_\_\_")
- #15 INNER LOWER BACK PANEL (Dim. \_\_\_\_\_" x \_\_\_\_\_")

\* NOTE: FRONT PANELS (1) FOR LP'S & HD II, (2) FOR RES. & COMM PRE 1994.

**NOTICE**  
 THE INFORMATION CONTAINED ON THIS DOCUMENT IS CONFIDENTIAL. ANY DISSEMINATION, UNAPPROVED DISCLOSURE OR COPYING OF THIS INFORMATION IS STRICTLY PROHIBITED.  
 UNLESS OTHERWISE SPECIFIED DIMENSIONS ARE IN INCHES  
 ANGLES ± 1°  
 XX ± .10, .XX ± .01, .XXX ± .005

DO NOT SCALE  
 Date: 08/12/14  
 Dm. By: DMR  
 Ckd. By: MKS

Date: 04/22/08  
 Dm. By: MKS  
 Ckd. By: DMR

Rev.	Description
B	REVISED DESCRIPTIONS AND LH SPECIFIC
A	REVISED TO ADD VPL-24 & PUT INTO AUTOCAD



Date: 4/22/08  
 Dm. By: MKS  
 Ckd. By: DMR  
 Dwg.: 129R

Title: Operator Panel Locations Drawing