

GRADE

**STYLE 'A'**  
POST MOUNTED

**STYLE 'B'**  
POST MOUNTED

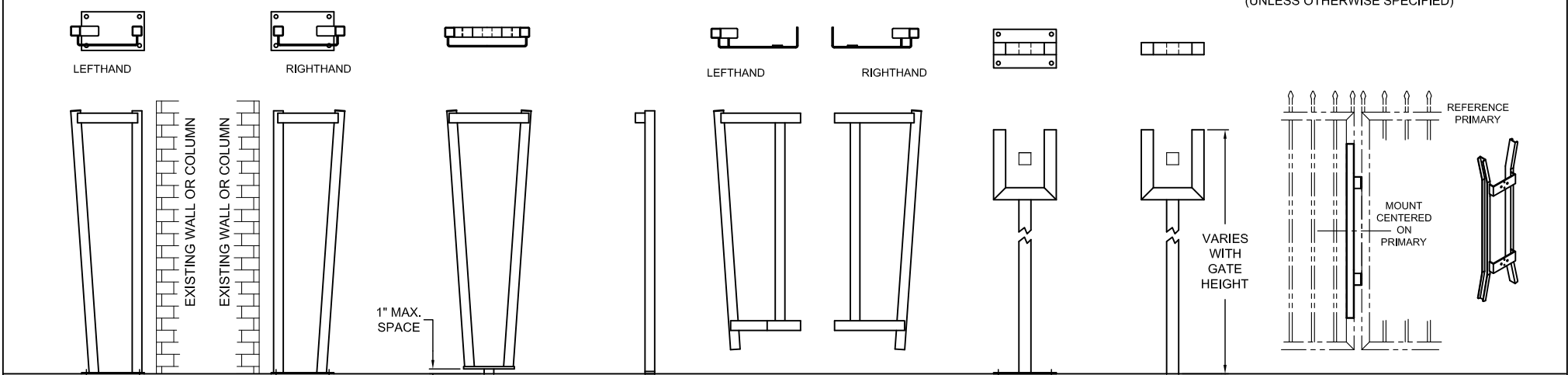
**STYLE 'C'**  
OFFSET WALL OR POST MOUNTED

**STYLE 'D'**  
WALL OR POST MOUNT

**STYLE 'DA5'**  
PAD MOUNTED

**STYLE 'E'**  
\* STANDARD \*  
PAD MOUNTED

**STYLE 'DUAL SPLIT'**  
FOR DUAL GATES 8' AND TALLER  
MOUNT HIGH ON PRIMARY, LOW ON SECONDARY  
(UNLESS OTHERWISE SPECIFIED)



GRADE

**STYLE 'F'**  
GATE PERPENDICULAR TO WALL

**STYLE 'G'**  
BURIED IN THE GROUND

**STYLE 'H'**  
OFFSET WALL OR POST MOUNTED

**STYLE 'BARRACUDA'**  
PAD MOUNTED OR BURIED

**STYLE 'DUAL CENTER'**  
FOR DUAL GATES SHORTER THAN 8'  
MOUNTED ON THE PRIMARY GATE  
(UNLESS OTHERWISE SPECIFIED)

**NOTES:**

- \* STANDARD PAD AND POST MOUNTED YOKEs ARE 5" TALL.
- \* STYLES 'G' AND 'BARRACUDA' RECESS ADDITIONAL 36" BELOW GRADE.
- \* STYLES 'A','B','C','D' & 'H' ARE MOUNTED 5" ABOVE GRADE.
- \* UNLESS SPECIFIED, GATE IS FURNISHED WITH STYLE 'E'.
- \* PRIMARY AND SECONDARY YOKE CONFIGURATION BASED ON HEIGHT.

Rev.:	Description:	Date:	Drn. By:	Ckd. By:
D	RE-ARRANGED ALL & ADDED DUAL STYLE YOKEs	11/25/14	KAY	DMR

Rev.:	Description:	Date:	Drn. By:	Ckd. By:
C	ADDED "DA5" STYLE YOKE (DOUBLE PAD MOUNTED)	07/01/14	MKS	EGS
B2	ADDED "H" STYLE YOKE	01/17/13	SLD	KLL
B1	ADDED BARRACUDA STYLE YOKE	01/17/13	SLD	SLD
A	ADDED FLATBAR TO STYLE "B" YOKE	08/27/10	MKS	DMR

**DO NOT SCALE**

THE INFORMATION CONTAINED ON THIS DOCUMENT IS CONFIDENTIAL. ANY DISSEMINATION, UNAPPROVED DISCLOSURE OR COPYING OF THIS INFORMATION IS STRICTLY PROHIBITED.

UNLESS OTHERWISE SPECIFIED DIMENSIONS ARE IN INCHES ANGLES ± 1°

X/X ± 1/32, XX ± .01, XXX ± .005

**NOTICE**

Date: 12/21/05

Drn. By: MKS

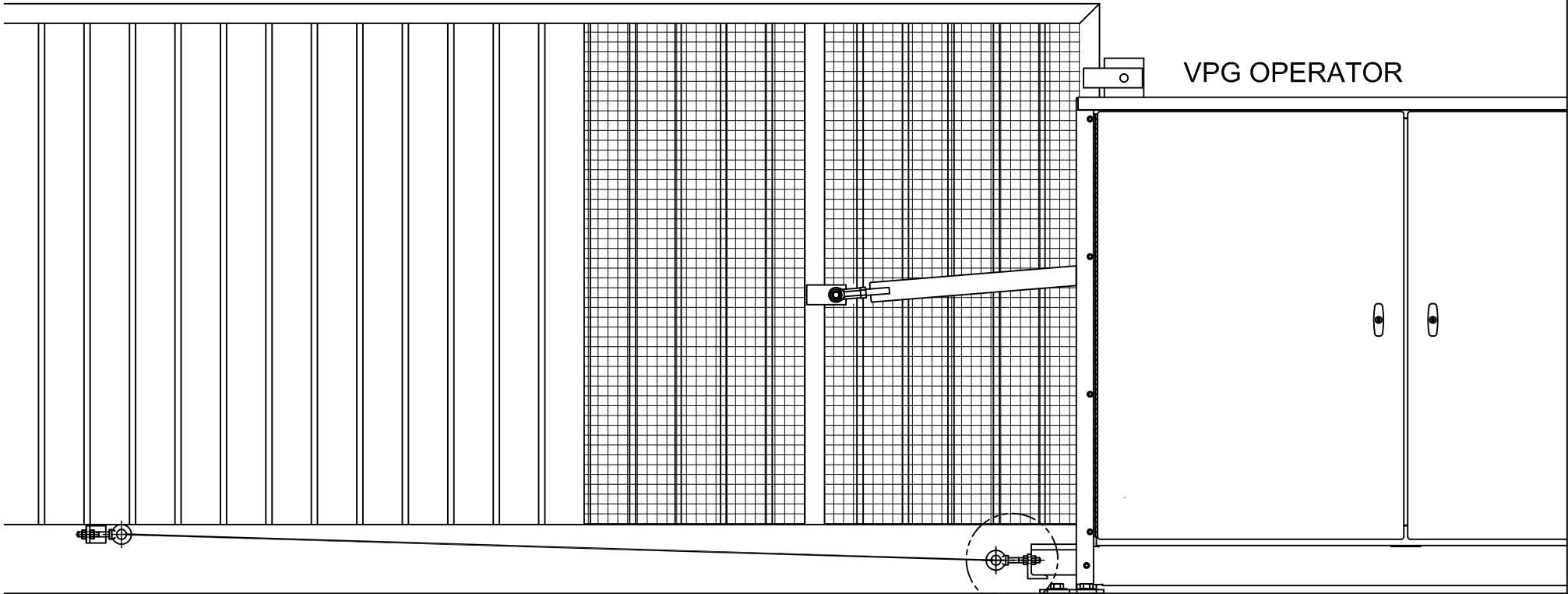
Ckd. By: DMR

Dwg.: 105

Title: YOKE STYLES (5' STANDARD)



# VERTICAL PIVOT GATE

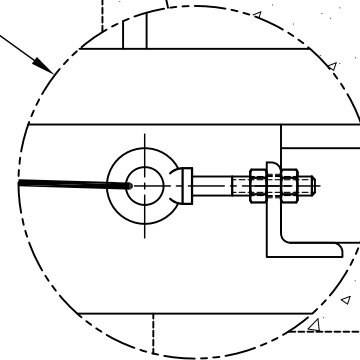



VPG OPERATOR

CONC. PAD

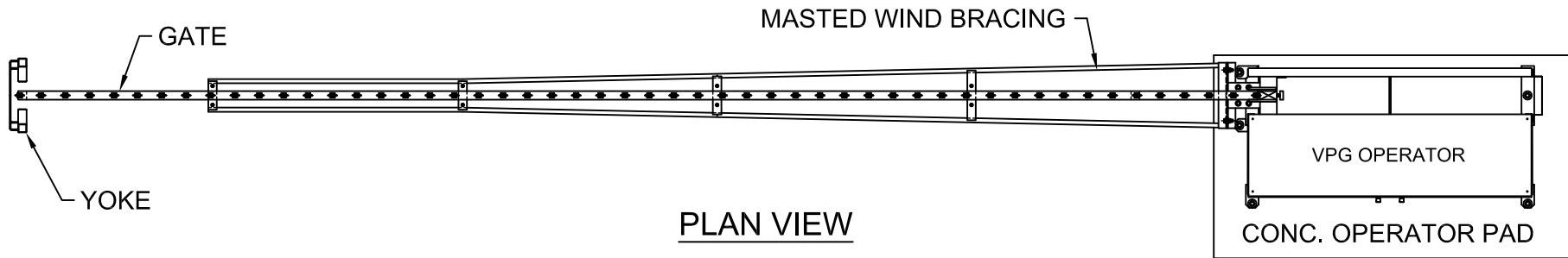
INSTALL TWO LOCKNUTS ON EACH END OF THE WINDBRACING CABLES & THEN ALIGN THE GATE AS NEEDED IN THE YOKE.

**NOTE:**  
SOME OLDER MODEL GATES HAVE PIPE BRACING, THE NEWER OPERATORS HAVE CABLE INSTALLED IN THE SAME MANNER

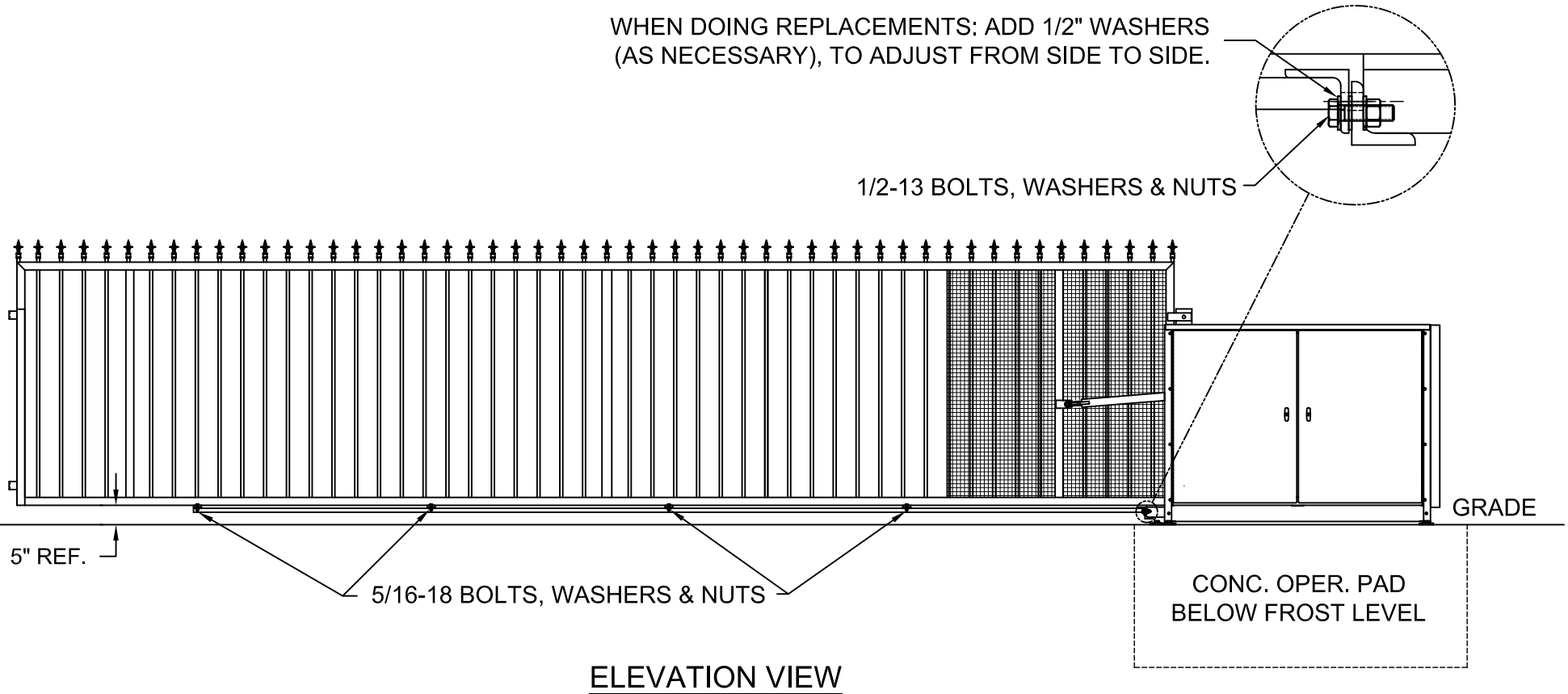



<p><b>NOTICE</b></p> <p>THE INFORMATION CONTAINED ON THIS DOCUMENT IS CONFIDENTIAL. ANY DISSEMINATION, UNAPPROVED DISCLOSURE OR COPYING OF THIS INFORMATION IS STRICTLY PROHIBITED.</p>		Date: 04/03/07	 <p>Berlin Heights, Ohio FAX (419) 588-3514</p>
		Drn. By: MKS	
<p>UNLESS OTHERWISE SPECIFIED DIMENSIONS ARE IN INCHES ANGLES ± 1°</p> <p>X/XX ± 1/32, XX ± .01, XXX ± .005</p>		Ckd. By: DMR	<p>Dwg.: 106-1</p> <p>Title: Wind Bracing Assembly - Cables</p>

DO NOT SCALE				
Rev.:	Description:	Date:	Drn. By:	Ckd. By:
C	INCREASED BARRIER SCREEN COVERAGE (ECR# 010-15)	06/05/15	MKS	KAY
B	Updated drawing	01/24/13	SLD	KLL
A	Revised by adding more detail on fasteners, gate and operator	01/01/11	MKS	MKS



WHEN DOING REPLACEMENTS: ADD 1/2" WASHERS (AS NECESSARY), TO ADJUST FROM SIDE TO SIDE.

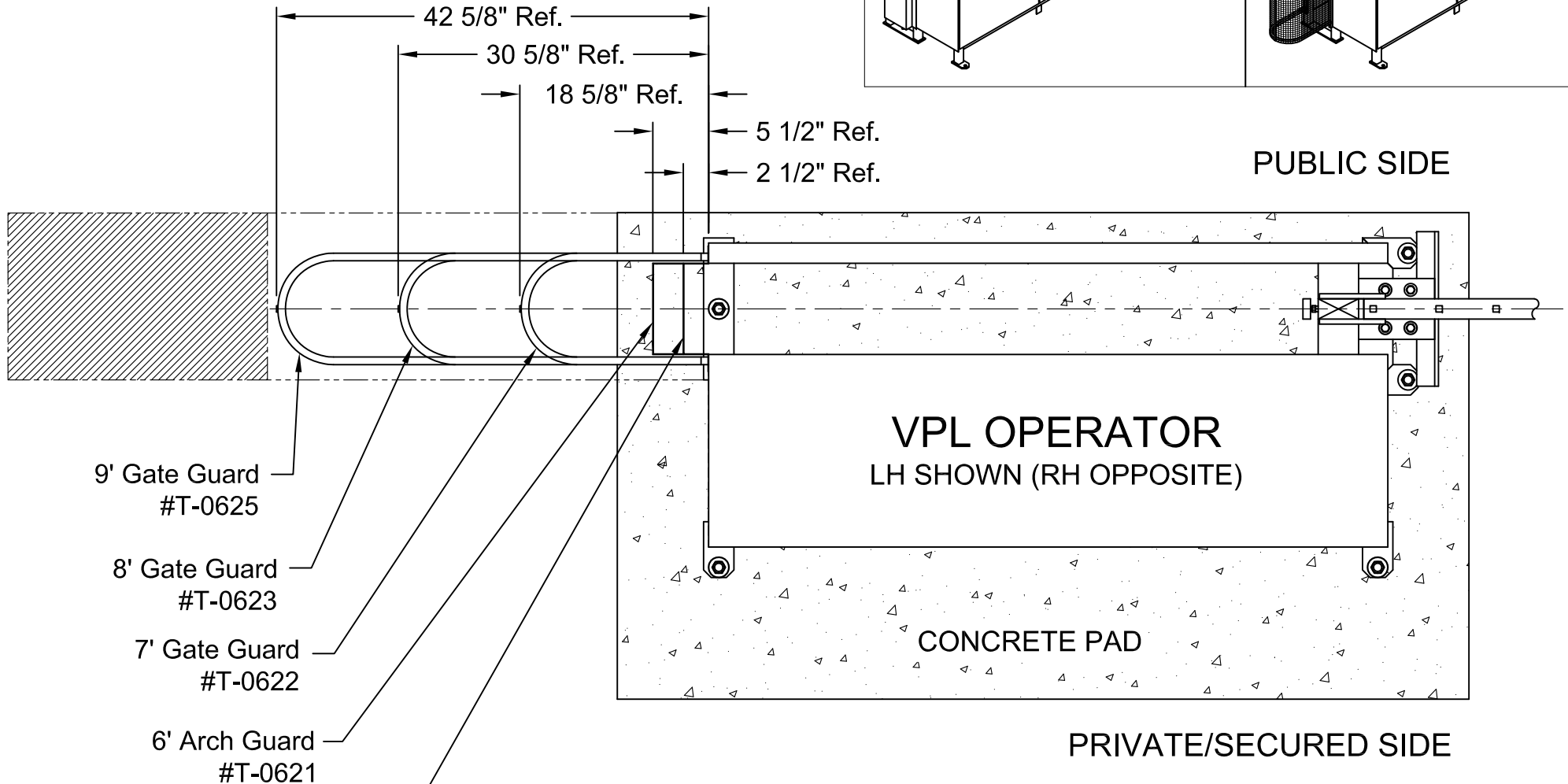
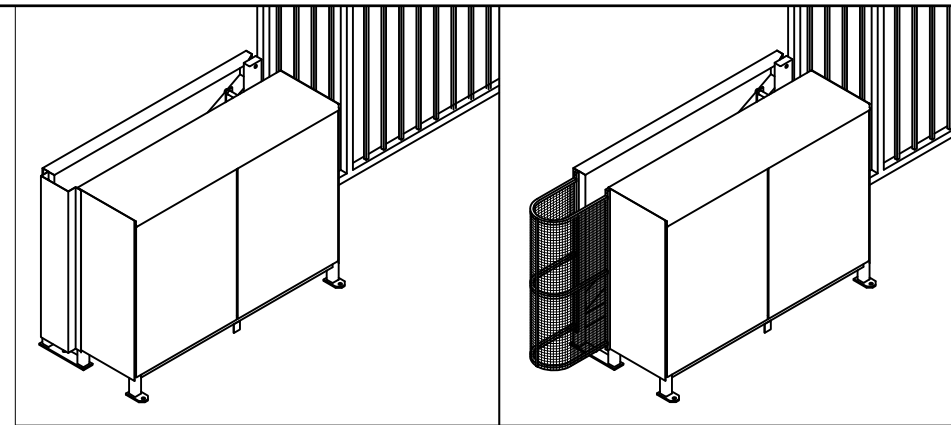


<p><b>NOTICE</b></p> <p>THE INFORMATION CONTAINED ON THIS DOCUMENT IS CONFIDENTIAL. ANY DISSEMINATION, UNAPPROVED DISCLOSURE OR COPYING OF THIS INFORMATION IS STRICTLY PROHIBITED.</p> <p>UNLESS OTHERWISE SPECIFIED DIMENSIONS ARE IN INCHES ANGLES ± 1°</p> <p>X/X ± 1/32, .XX ± .01, .XXX ± .005</p>				Date:	12/03/08	 <p>Berlin Heights, Ohio FAX (419) 588-3514</p>
				Drn. By:	MKS	
				Ckd By:	DMR	
				Dwg.:	106-2	
				Title:	Wind Bracing Assembly - Masted	

Rev.:	Description:	Date:	DO NOT SCALE	
			Drn. By:	Ckd. By:
A	INCREASED BARRIER SCREEN COVERAGE (ECR# 010-15)	06/05/15	MKS	KAY

**NOTES:**

- 1) Gates over 9' tall will require local fencing (See shaded area).
- 2) Scale is in inches
- 3) Reference dwg. #'s 100, 101, 102, 103




- 9' Gate Guard #T-0625
- 8' Gate Guard #T-0623
- 7' Gate Guard #T-0622
- 6' Arch Guard #T-0621
- Std. Gate Guard (5' & 6') #T-0620

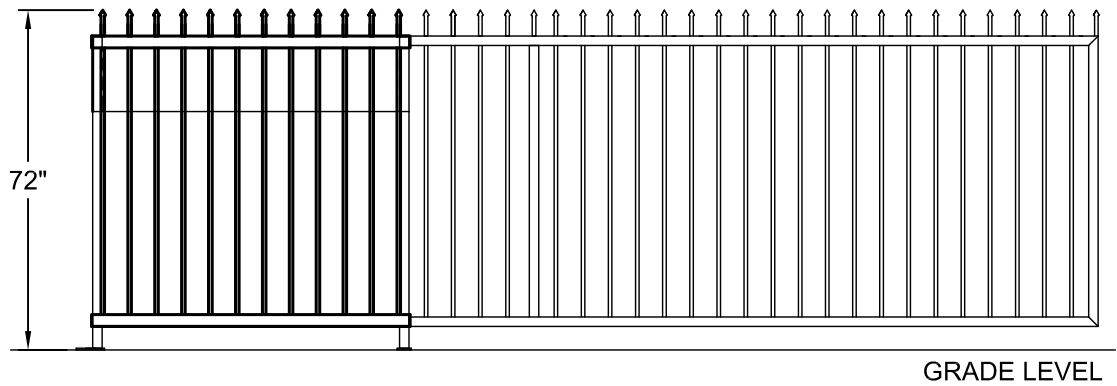
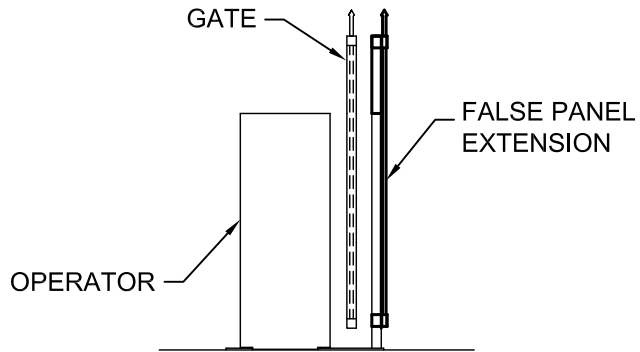
VPL OPERATOR  
LH SHOWN (RH OPPOSITE)

CONCRETE PAD

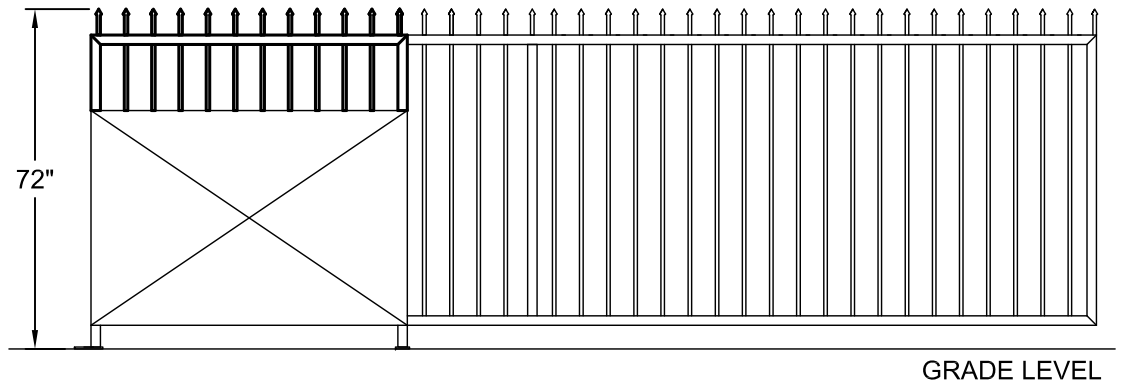
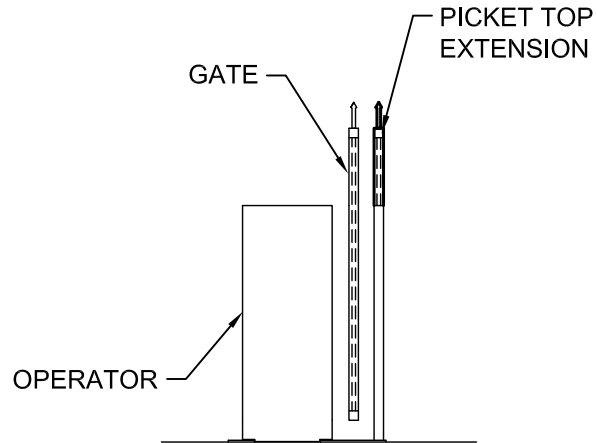
PRIVATE/SECURED SIDE

<p><b>NOTICE</b></p> <p>THE INFORMATION CONTAINED ON THIS DOCUMENT IS CONFIDENTIAL. ANY DISSEMINATION, UNAPPROVED DISCLOSURE OR COPYING OF THIS INFORMATION IS STRICTLY PROHIBITED</p> <p>UNLESS OTHERWISE SPECIFIED DIMENSIONS ARE IN INCHES ANGLES ± 1°</p> <p>XX ± 1/32, .XX ± .01, .XXX ± .005</p>	Date: 09/21/05	
	Drn. By: MKS	
	Ckd. By: DMR	Dwg.: 118
	Title: Standard Gate Guards and Dimensions	


Rev.:	Description:	Date:	Drn. By:	Ckd. By:
A	ADDED 9' GATE GUARD AND ADDITIONAL NOTES	08/21/13	MKS	B.F.



### FALSE PANEL EXTENSION



### PICKET TOP EXTENSION

					<b>DO NOT SCALE</b>		<b>NOTICE</b>		Date: 7/01/09		
					Rev.:	Description:	Date:	Drn. By:	Ckd. By:		THE INFORMATION CONTAINED ON THIS DOCUMENT IS CONFIDENTIAL. ANY DISSEMINATION, UNAPPROVED DISCLOSURE OR COPYING OF THIS INFORMATION IS STRICTLY PROHIBITED
											UNLESS OTHERWISE SPECIFIED DIMENSIONS ARE IN INCHES ANGLES ± 1° X/X ± 1/32, .XX ± .01, .XXX ± .005
					A	Updated drawing	12/12/12	SLD		Drn. By: MKS	Berlin Heights, Ohio FAX (419) 588-3514
										Ckd. By: DMR	
										Dwg.: 125	
										Title: FALSE PANEL EXTENSION STYLES	