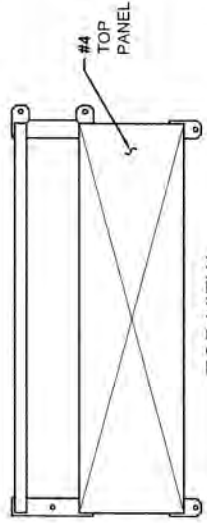
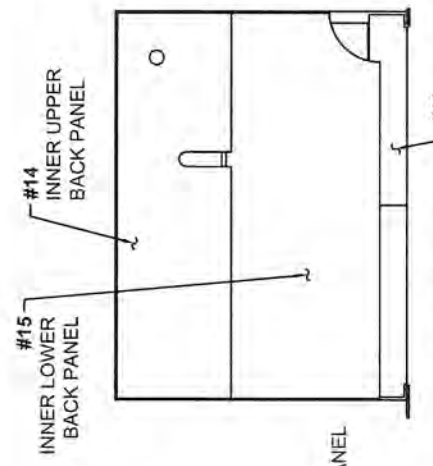
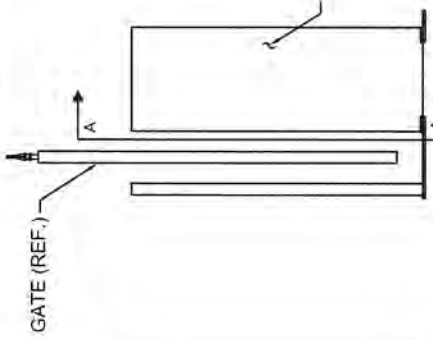
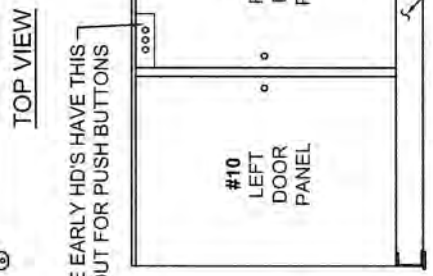
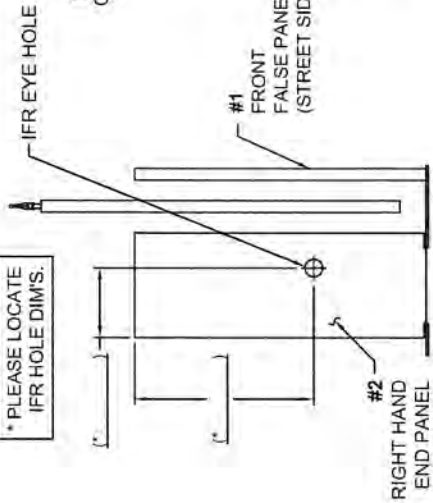


LH OPERATOR PANEL LOCATIONS

AG#: _____ DATE: _____
 OPER. STYLE: RES. LP HD HDII VPL-24
 COLOR: _____ PAINT TYPE: _____ PC
 CUSTOMER: _____
 TRUCK LINE: _____



* PLEASE LOCATE IFR HOLE DIMS.



SECTION "A-A"
INSIDE PANELS
(PUBLIC SIDE)

BACK END VIEW

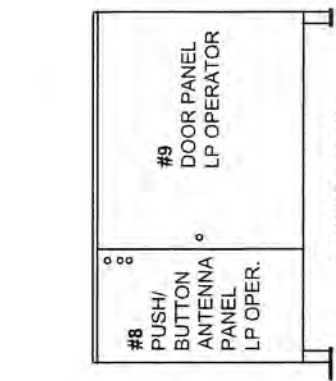
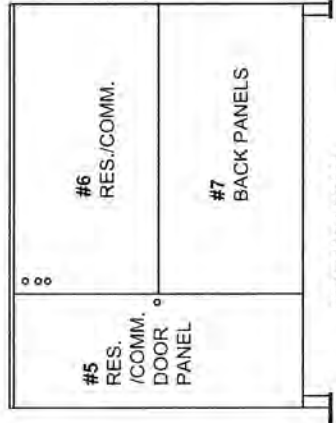
FRONT VIEW
HD II & VPL-24
(DOOR/PRIVATE SIDE)

FRONT VIEW
RESIDENTIAL/COMMERCIAL
(DOOR/PRIVATE SIDE)

* NOTE: FRONT PANELS (1) FOR LP'S & HD II, (2) FOR RES. & COMM PRE 1994.

PLEASE INDICATE WHICH PANEL(S) WERE DAMAGED AND VERIFY THE SIZES OF EA. PANEL(S) YOU NEED:

- #1 FRONT FALSE PANEL (Dim. "x" "x" "x")
- #2 RH GATE / IFR BEAM END PANEL (Dim. "x" "x" "x")
- #3 BACK END PANEL (Dim. "x" "x" "x")
- #4 TOP PANEL (Dim. "x" "x" "x")
- #5 DOOR PANEL COMM./RES. (Dim. "x" "x" "x")
- #6 UPPER BACK PANEL COMM./RES. (Dim. "x" "x" "x")
- #7 LOWER BACK PANEL COMM./RES. (Dim. "x" "x" "x")
- #8 PUSH BUTTON LP (Dim. "x" "x" "x")
- #9 DOOR PANEL LP (Dim. "x" "x" "x")
- #10 LEFT DOOR PANEL HD II & VPL-24 (Dim. "x" "x" "x")
- #11 RIGHT DOOR PANEL HD II & VPL-24 (Dim. "x" "x" "x")
- #12 FRONT DEBRIS PANEL (Dim. "x" "x" "x")
- #13 REAR INNER DEBRIS PANEL (Dim. "x" "x" "x")
- #14 INNER UPPER BACK PANEL (Dim. "x" "x" "x")
- #15 INNER LOWER BACK PANEL (Dim. "x" "x" "x")



FRONT VIEW
RESIDENTIAL/COMMERCIAL
(DOOR/PRIVATE SIDE)

FRONT VIEW
LOW PROFILE
(DOOR/PRIVATE SIDE)

NOTICE
 THE INFORMATION CONTAINED ON THIS DOCUMENT IS CONFIDENTIAL. ANY DISSEMINATION, UNAPPROVED COPYING OR REPRODUCTION OF THIS INFORMATION IS STRICTLY PROHIBITED.
 UNLESS OTHERWISE SPECIFIED DIMENSIONS ARE IN INCHES ANGLES ± 1°
 XXX ± 0.1, XXX ± 0.05
 XXX ± 0.12, XXX ± 0.1

DO NOT SCALE	
Dr. By:	Ckd. By:
DMR	MKS
MKS	DMR

Rev.:	Description:	Date:
B	REVISED DESCRIPTIONS AND L/H SPECIFIC.	08/12/14
A	REVISED TO ADD VPL-24 & PUT INTO AUTOCAD	04/22/08

Date:	4/22/08
Dr. By:	MKS
Ckd. By:	DMR
Dwg.:	129L

AutoGate
 Gate Entry Systems
 Berlin Heights, Ohio
 FAX (419) 588-3514

AG

Title: Operator Panel Locations Drawing