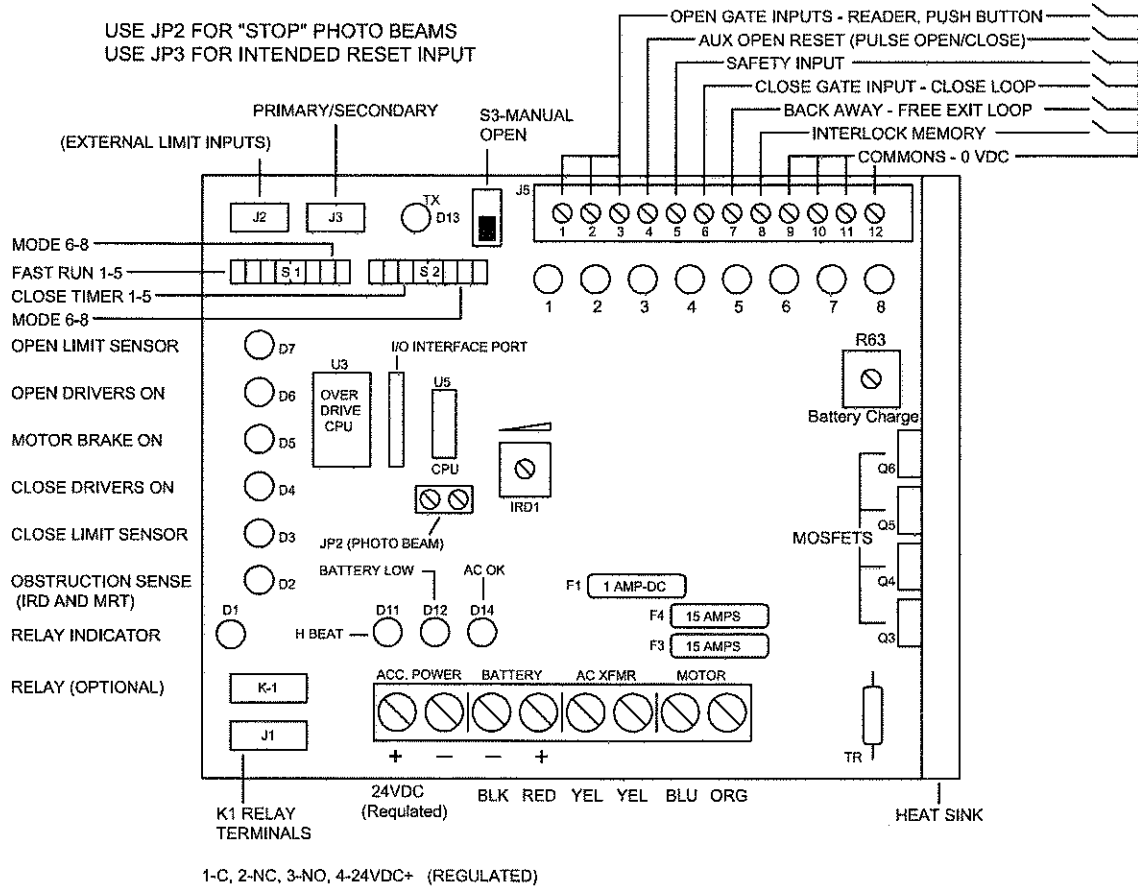


# CONTROL BOARD LAYOUT

READ SAFETY INSTRUCTIONS BEFORE WIRING



ACCESSORY POWER IS 24VDC REGULATED RATED AT 500 ma. [ 1/2 AMP ]  
 { POWER AT ACCESSORY+ AND AT REALY PIN-4+ IS FUSED AT F1 WITH A 1 AMP FAST-BLO FUSE }

J5 #4 FOR USE WITH HARD WIRED LINE OF SIGHT DEVICES TO OPEN GATE AND RESET UNIT

D11 - HEART BEAT - SHOWS THAT PROCESSOR AND PROGRAM ROUTINE ARE RUNNING PROPERLY

D12 - BATTERY STATUS - SEE DIAGNOSTIC PROCEDURES

D14 - AC POWER INDICATOR - SHOWS THAT AC POWER IS PRESENT

S3 - MANUAL OPEN - TO ALLOW GATE TO BE OPENED OR CLOSED DURING SERVICE OF UNIT

F1 - 1 AMP FAST BLO FUSE (5mm x 20 mm). MAXIMUM CONTINUOUS DRAW IS 1/2 AMP (U.L. LISTED FUSE ONLY)

F3 - 15 AMP ATO TYPE FUSE FOR 24VAC INPUT POWER (U.L. LISTED FUSE ONLY)

F4 - 15 AMP ATO TYPE FUSE FOR 24VDC BATTERY INPUT POWER (U.L. LISTED FUSE ONLY)

JP2 - INPUT FOR PHOT BEAM AS A SECONDARY ENTRAPMENT PROTECTION

7306 Driver Rd, PO Box 50  
 Berlin Heights, Ohio 44814  
 Phone: 1 (800) 944-GATE  
 (419) 588-2796  
 Fax: (419) 588-3514

Rev.	Description:	Date:	Drn. By:	Ckd. By:	NOTICE	Date:
					THE INFORMATION CONTAINED ON THIS DOCUMENT IS CONFIDENTIAL. ANY DISSEMINATION, UNAPPROVED DISCLOSURE OR COPYING OF THIS INFORMATION IS STRICTLY PROHIBITED.	11/15/05
						Drn. By: MKS
B	Primary/Secondary "J3" was labeled as Master/Slave	06/06/14	MKS	DMR	UNLESS OTHERWISE SPECIFIED DIMENSIONS ARE IN INCHES ANGLES ± 1° XX ± 1/32, .XX ± .01, .XXX ± .005	Supercedes: 8/23/04
A	General revisions, new Title Block	04/07/09	MKS	DMR		Dwg.: 109
						Title: DC Control Board Layout