



## SHALLOW FOUNDATION ACTIVE VEHICLE BARRIER SYSTEM

### ASTM F2656 M30/P1 (DOS K4/L3)

Designed and used for both perimeter high security and vehicular traffic control. Proven low maintenance, high cyclic/high volume operation, and low cost of ownership. Immobilizes vehicles weighing up to 15,000 lbs. traveling at 30 mph in well under 3 feet of penetration. All systems are completely electric (no hydraulics) and are battery backed-up for hundreds of cycles in the event of AC power loss.



- The system we developed enables AutoGate to provide high security products installed at a fraction of the depth required by traditional systems.
- No need for any major excavation work on existing roads or paved surfaces.
- Ideal in avoiding utilities & fiber-optic site interference.



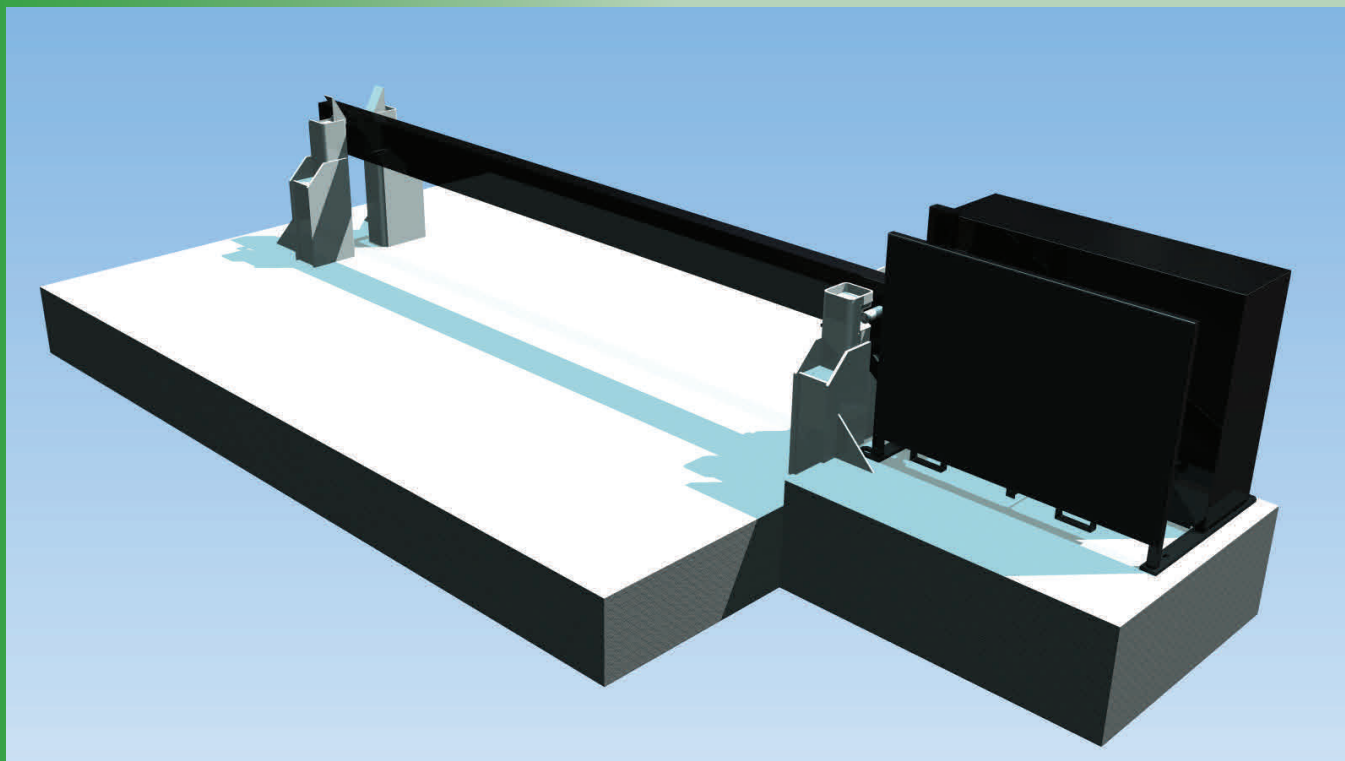
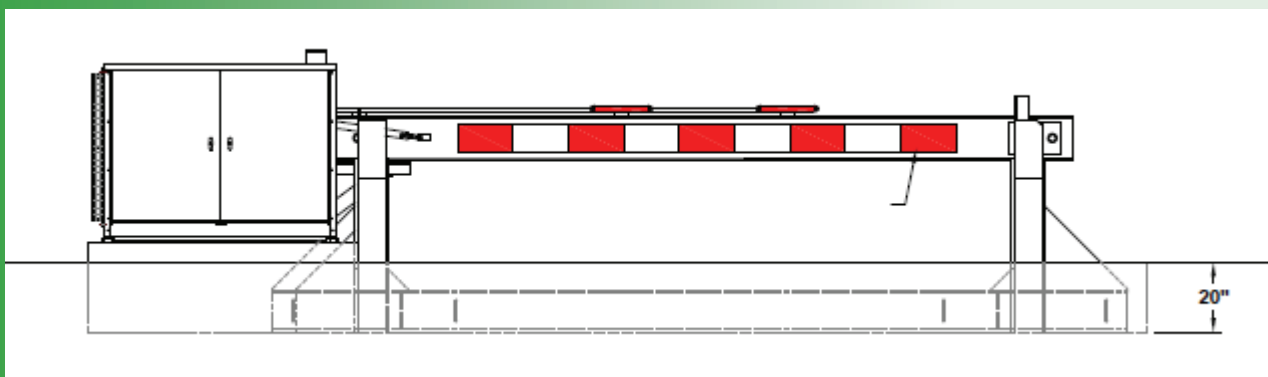


# Product Specifications The Shield®

## ASTM F2656 M30/P1 (DOS K4/L3)

### Model: VPL-CB24SF-M30 Shallow Foundation

<b>DUTY CYCLE:</b>	Continuous.	<b>OPEN / CLOSING CYCLES:</b>	7 – 14 seconds
<b>POWER SUPPLY:</b>	120V 3 Amp with 24v DC battery backup (2) 12v sealed batteries required, <b>NOT</b> included.	<b>DELAYED CLOSING:</b>	Adjustable from 0 – 60 seconds
<b>CONTROL SYSTEM:</b>	NEMA 4 Fully Enclosed	<b>FOUNDATION DEPTH:</b>	20"
<b>GATE LENGTHS:</b>	<b>Full size gate:</b> Clear opening to 17'	<b>Barrier Arm only (no gate):</b>	Clear opening to 19'
<b>GATE HEIGHTS:</b>	5' – 9' from pad grade. Gates over 8' will require special crating & freight arrangements.		



AutoGate, Inc.  
 7306 Driver Road - PO Box 50  
 Berlin Heights, OH 44814  
 (800) 944-4283  
[www.AutoGate.com](http://www.AutoGate.com)   [Sales@AutoGate.com](mailto:Sales@AutoGate.com)